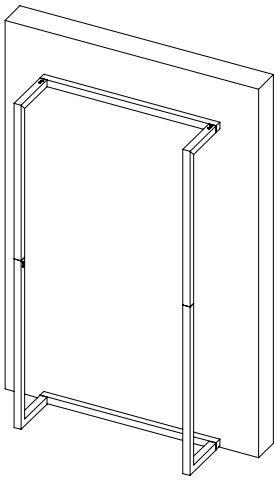
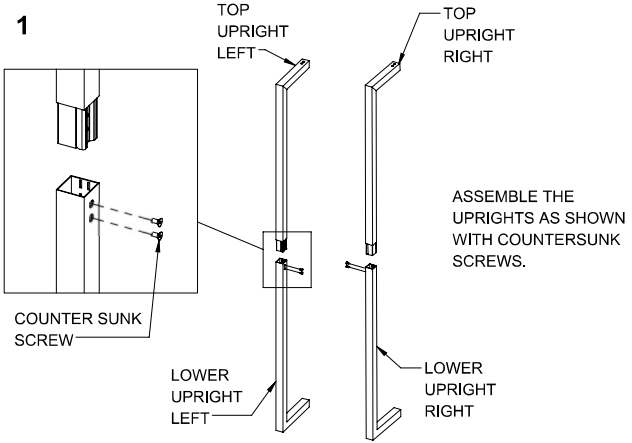


**ASSEMBLY INSTRUCTIONS:
T500SC**

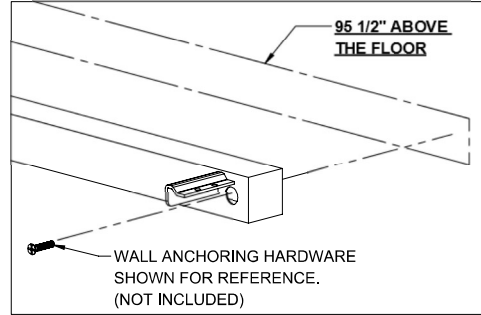
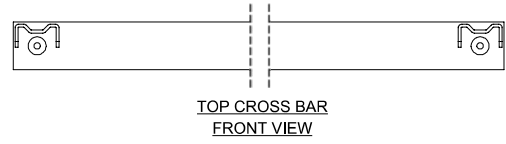


- REQUIRED TOOLS NOT INCLUDED**
- POWER DRILL
 - BUBBLE LEVEL
 - WALL ANCHOR HARDWARE WITH A SHEAR RATING OF 60 LBS OR MORE AND A TENSION RATING OF 80 LBS OR MORE. (**MAXIMUM HARDWARE DIAMETER 1/4"**)

1

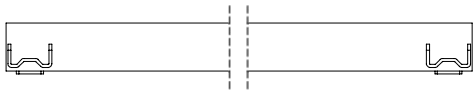


2

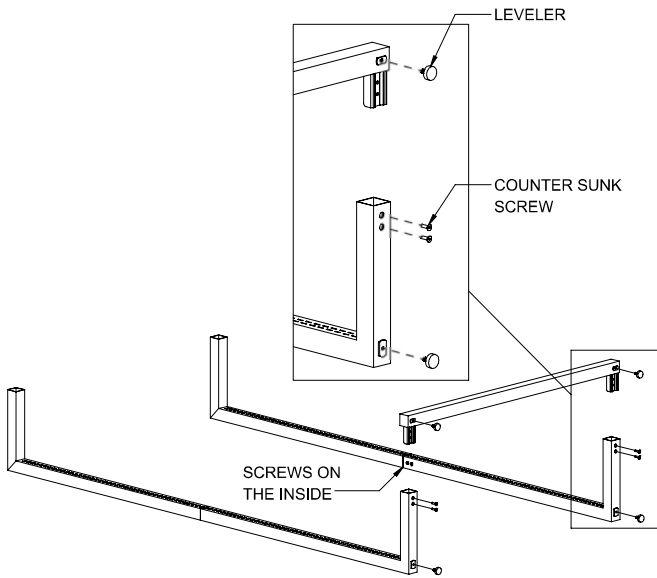


LEVEL AND MOUNT THE TOP CROSS BAR TO THE DESIRED WALL AS SHOWN WITH APPROPRIATE WALL MOUNTING HARDWARE.

3



BOTTOM CROSS BAR
FRONT VIEW

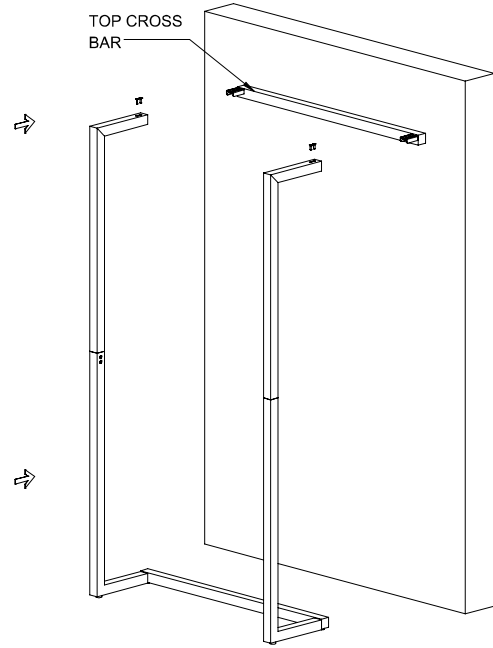


- LAY THE UPRIGHTS ON THE FLOOR AS SHOWN AND ASSEMBLE THE UPRIGHTS WITH THE LOWER CROSS BAR.
- INSTALL THE LEVELERS AS SHOWN.

NOTE: IT IS RECOMMENDED TO POSITION THE SCREWS ON THE UPRIGHTS TO BE POSITIONED ON THE INSIDE OF THE UNIT, BUT THIS IS NOT REQUIRED.

4

THIS STEP MAY REQUIRE 2 OR MORE PEOPLE



LIFT THE ASSEMBLED FRAME UP TO THE UPPER CROSS BAR MOUNTED ON THE WALL AND ASSEMBLE AS SHOWN WITH THE REMAINING COUNTER SUNK SCREWS.

NOTE: BE SURE TO MAKE SURE ALL LEVELERS ARE UNSCREWED ENOUGH TO ALLOW THE UNITS WEIGHT TO BE ON THE FLOOR.