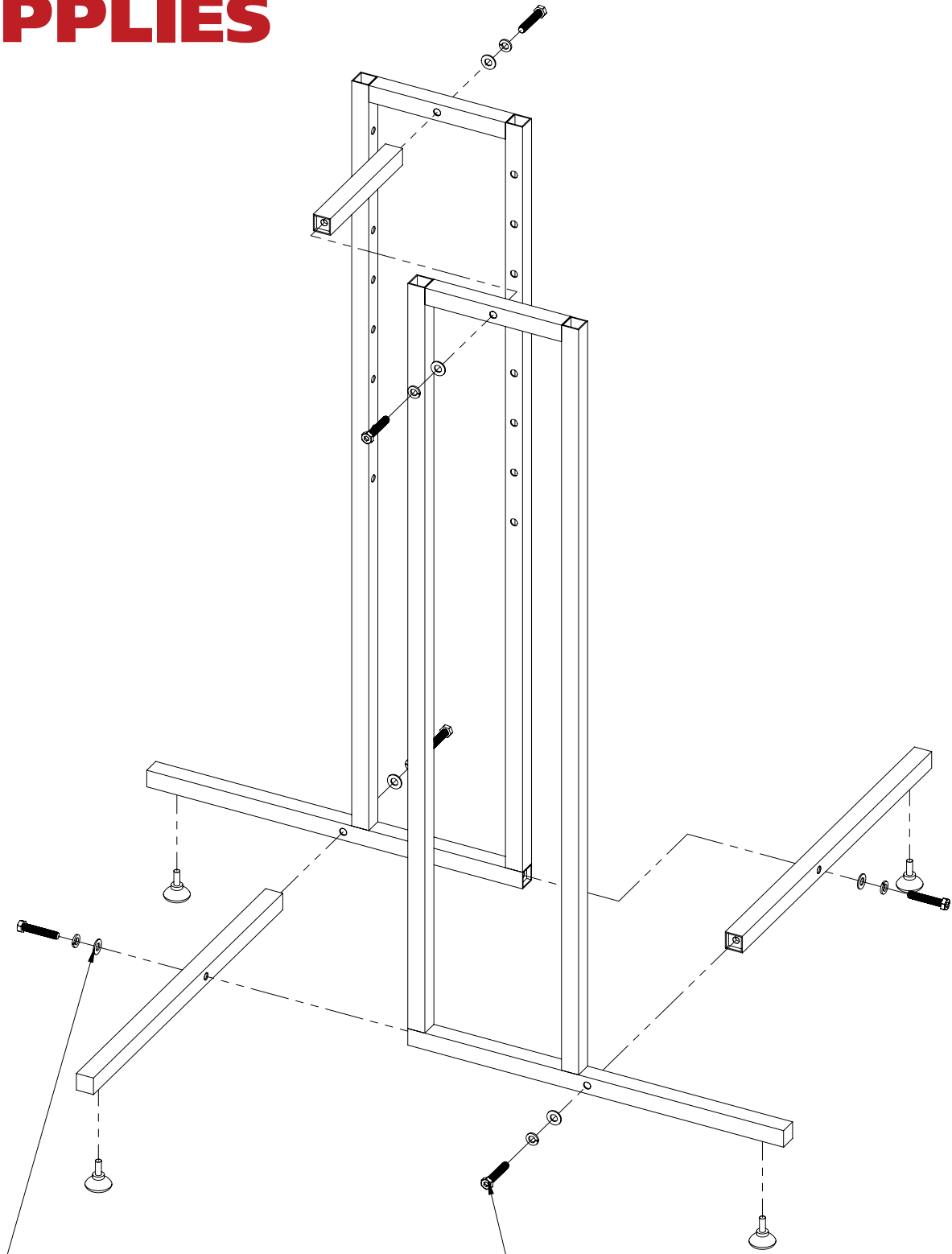


# RETAIL

WR Display & Packaging

# SUPPLIES



3/8" LOCK WASHERS  
3/8" STANDARD WASHERS  
6 SETS REQUIRED

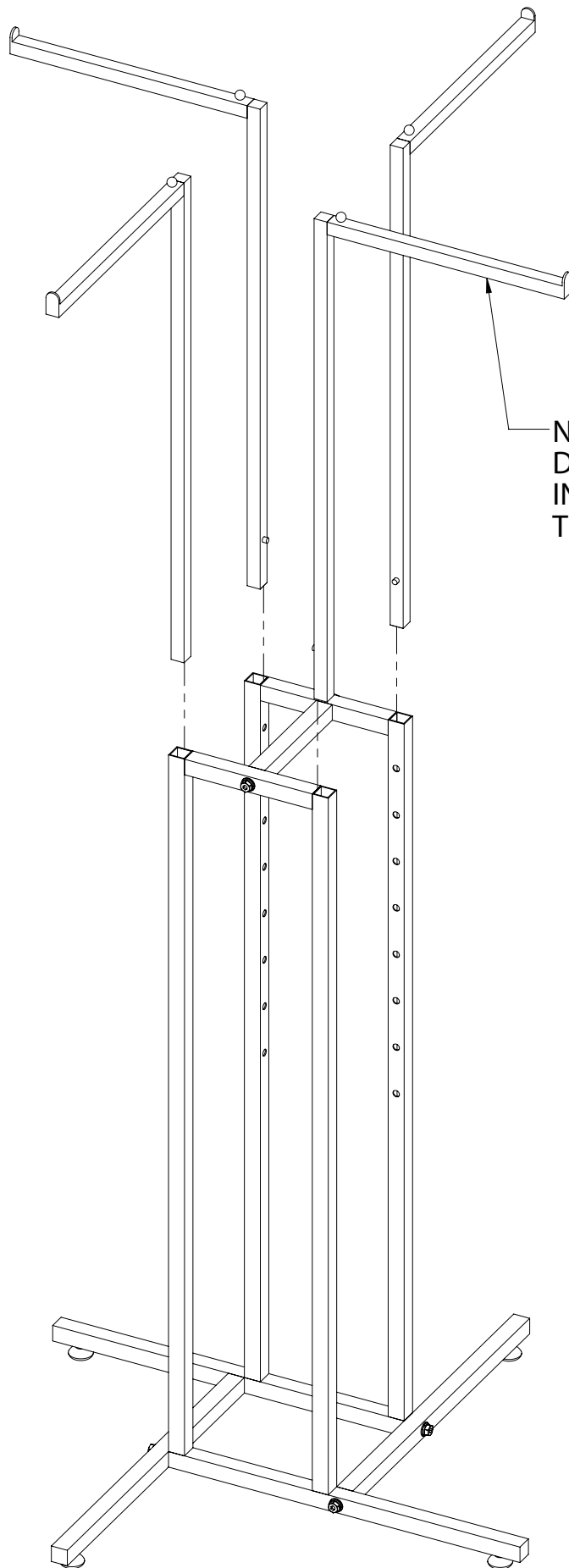
3/8"-16 x 2" LONG  
HEX HEAD SOCKET BOLTS  
6 REQUIRED

Assembly Instructions for  
K10, K12, K13, K14, K15,  
K16

# RETAIL

WR Display & Packaging

# SUPPLIES



NOTE: ARMS WILL VARY  
DEPENDING ON ITEM  
INSTALLATION REMAINS  
THE SAME

Assembly Instructions for  
K10, K12, K13, K14, K15,  
K16