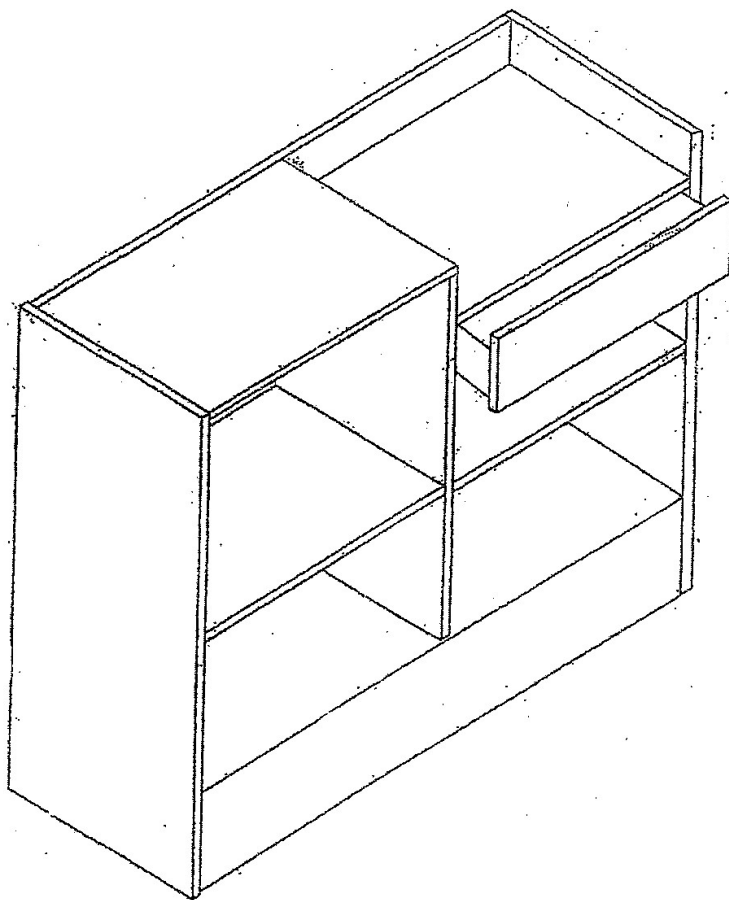


RETAIL

WR Display & Packaging

SUPPLIES

2-IN-1



NOTE: It is recommend that two persons assemble this unit

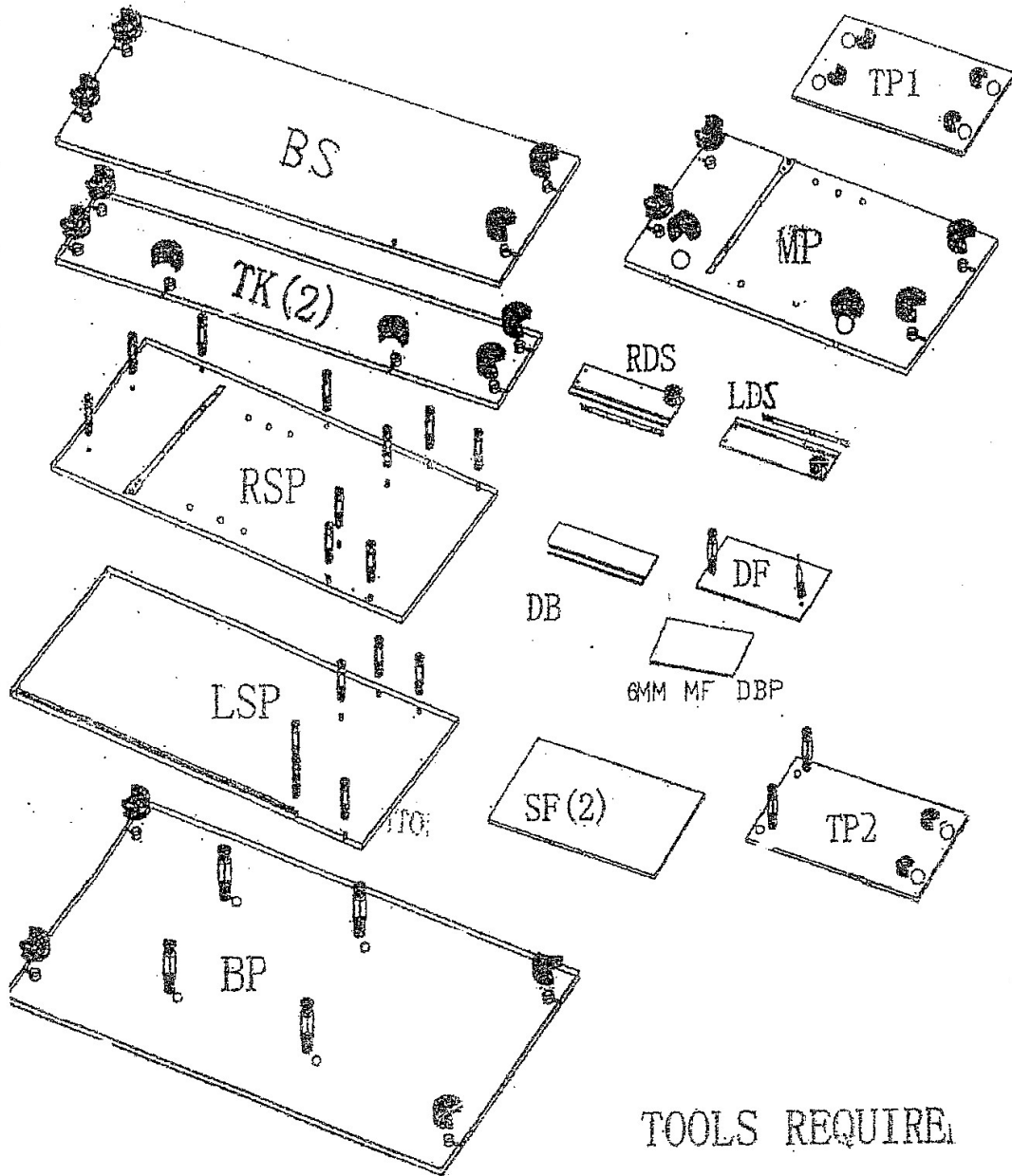
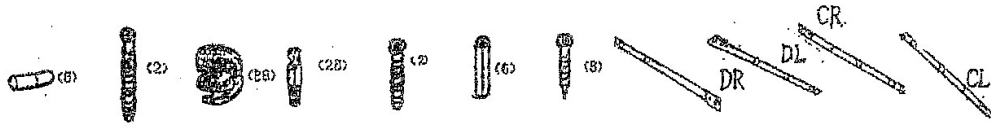
ASSEMBLY INSTRUCTIONS

RETAIL

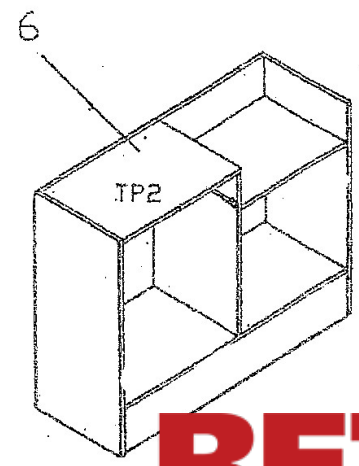
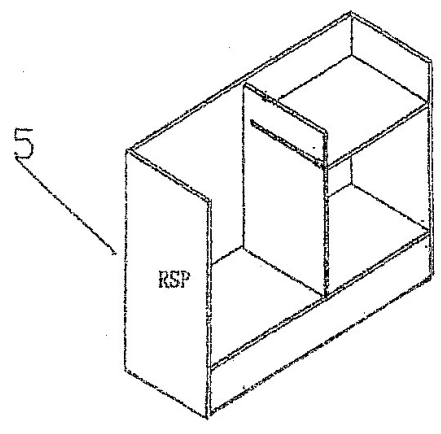
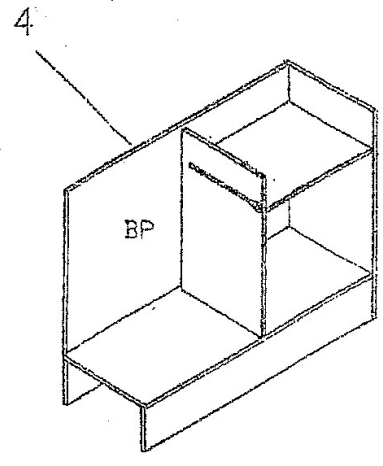
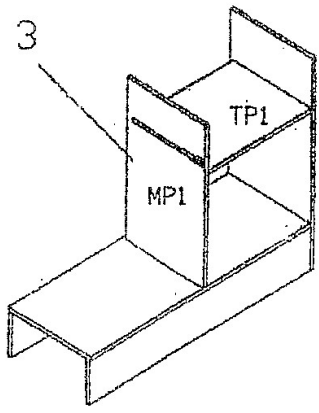
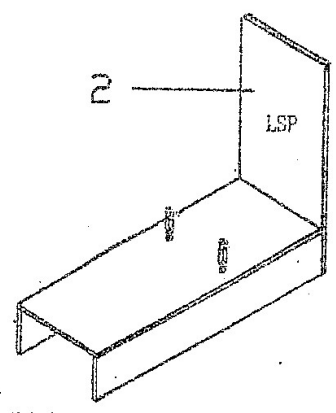
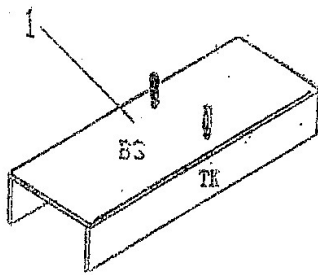
WR Display & Packaging

SUPPLIES

PARTS LIST



TOOLS REQUIRED



RETAIL
WR Display & Packaging
SUPPLIES

RETAIL

WR Display & Packaging

SUPPLIES

