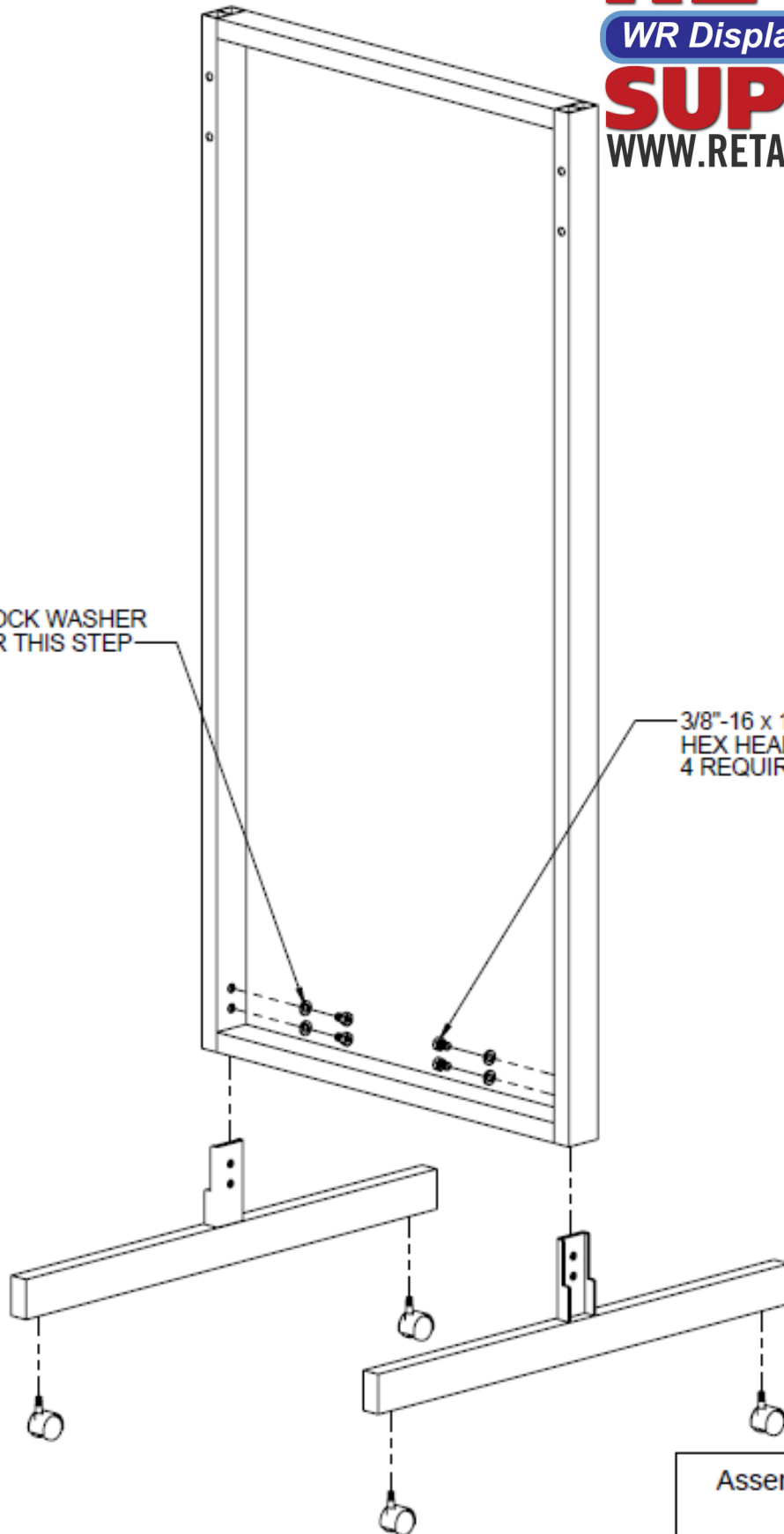
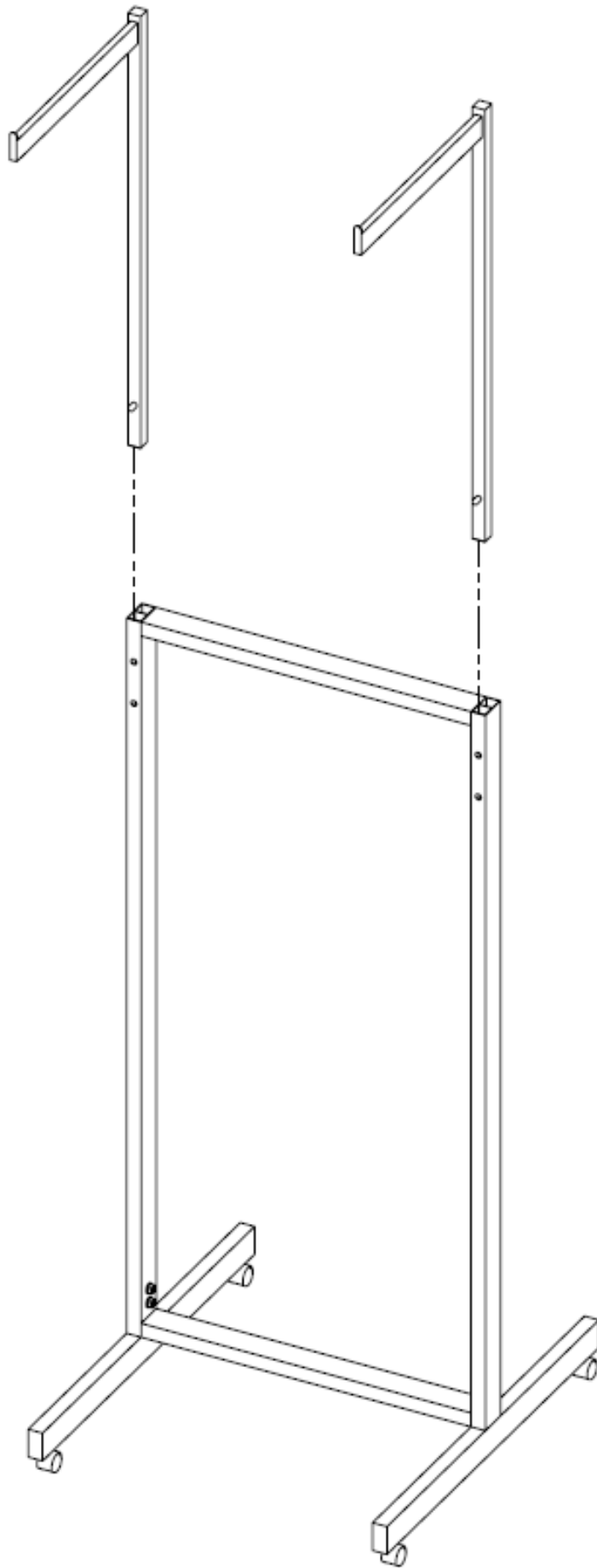


3/8" REGULAR LOCK WASHER  
4 REQUIRED PER THIS STEP

3/8"-16 x 1/2" LONG SOCKET  
HEX HEAD BOLT  
4 REQUIRED PER THIS STEP



Assembly Instructions for  
230300



Assembly Instructions for  
230300