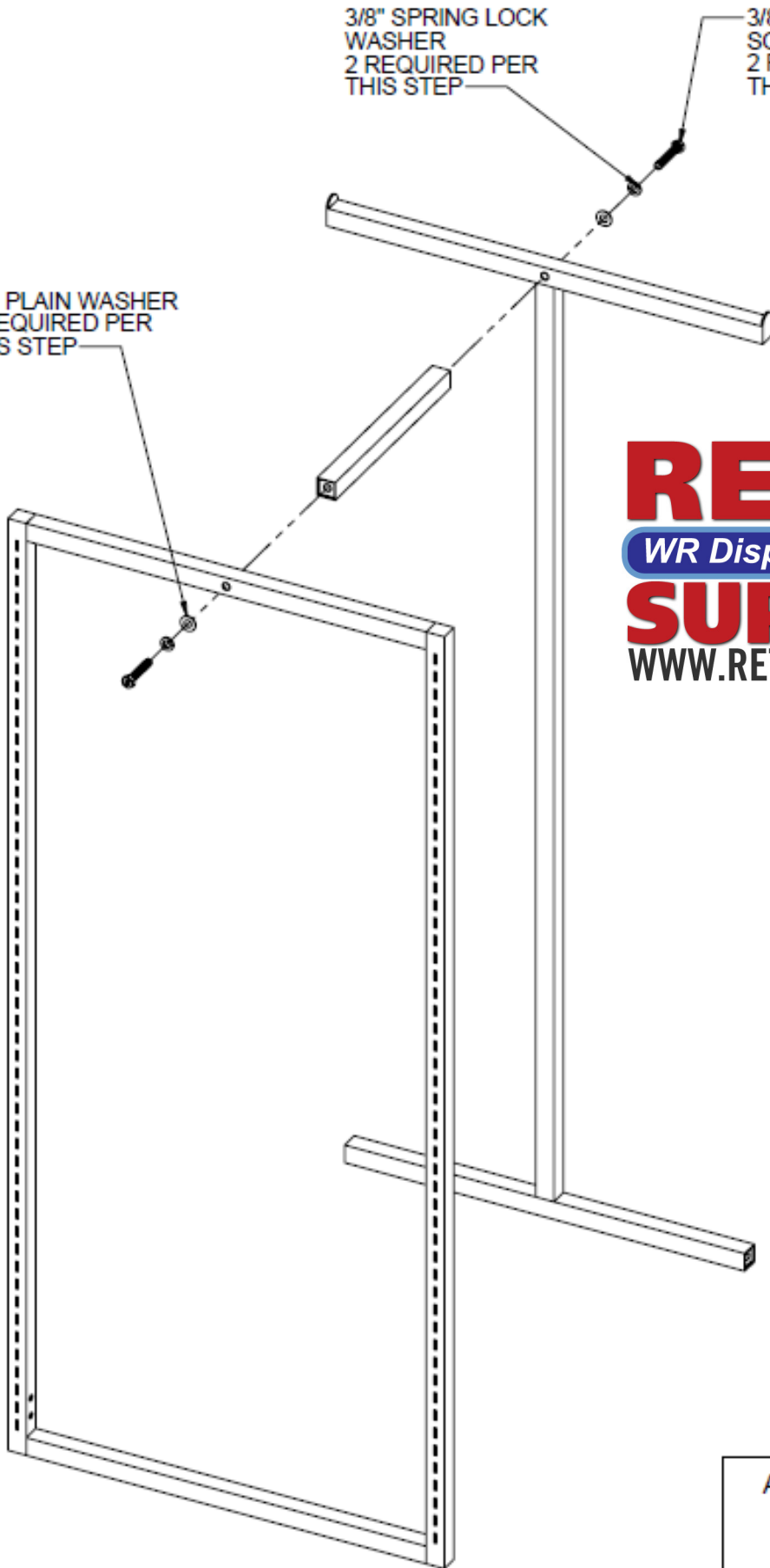


3/8" SPRING LOCK
WASHER
2 REQUIRED PER
THIS STEP

3/8"-16 x 1-7/8" LONG
SOCKET HEX HEAD BOLT
2 REQUIRED PER
THIS STEP

3/8" PLAIN WASHER
2 REQUIRED PER
THIS STEP



RETAIL
WR Display & Packaging
SUPPLIES
WWW.RETAILSUPPLIES.NET

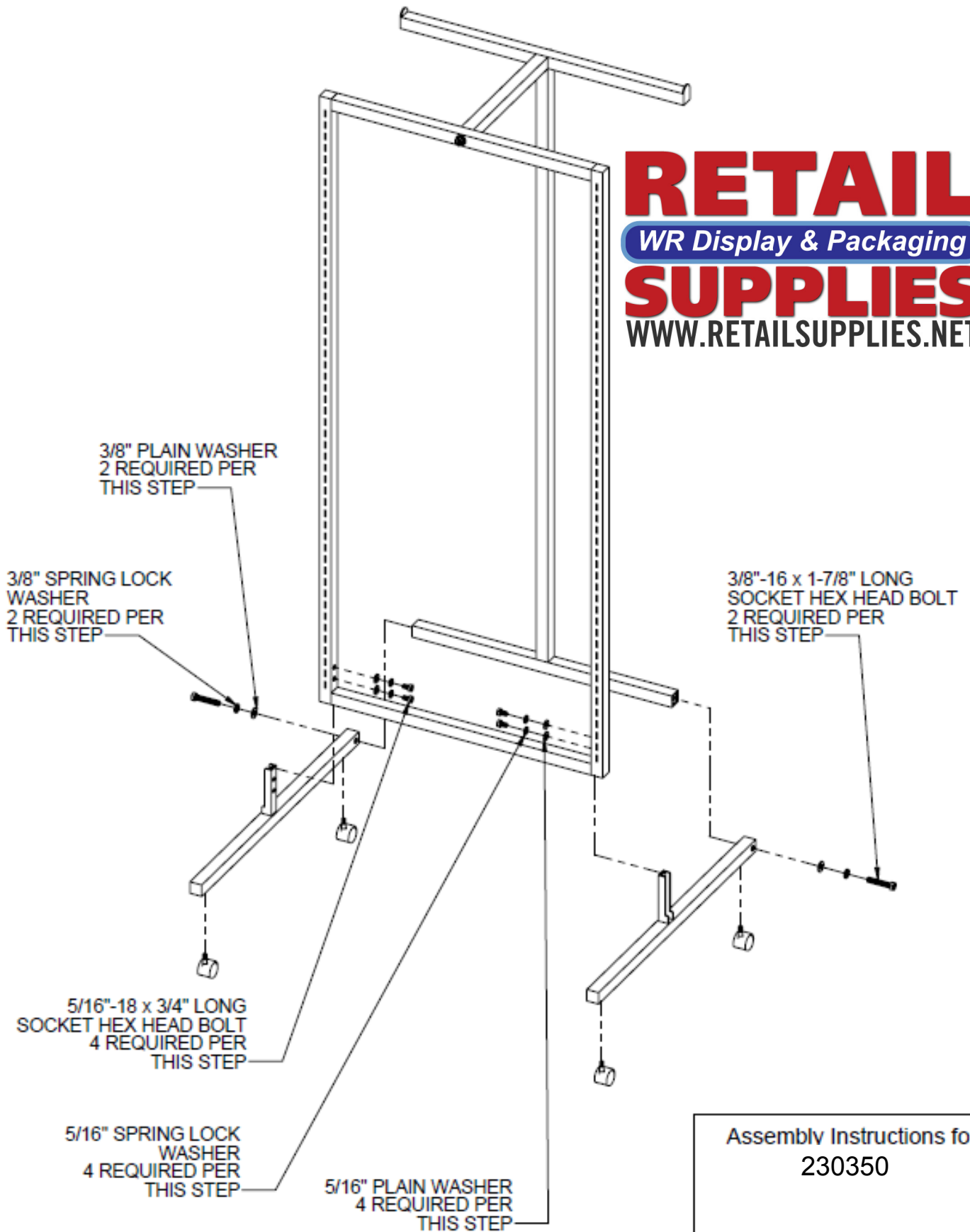
Assembly Instructions for
230350

RETAIL

WR Display & Packaging

SUPPLIES

WWW.RETAILSUPPLIES.NET



Assembly Instructions for
230350