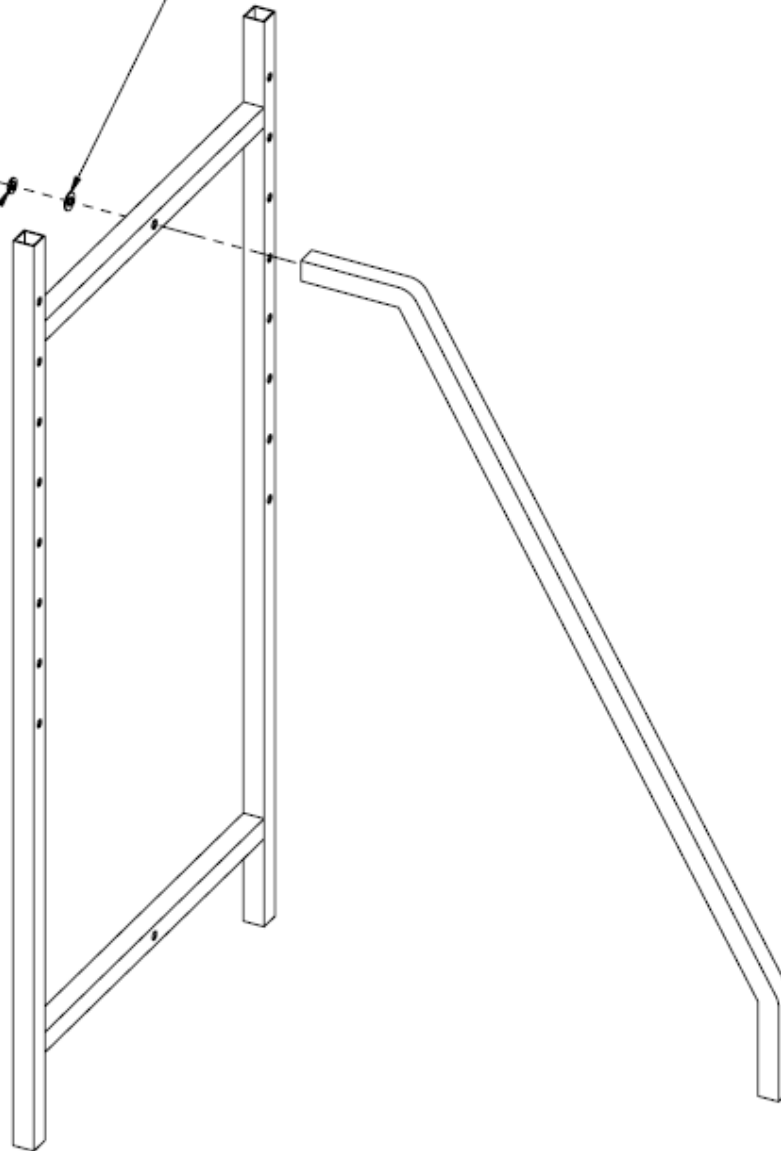


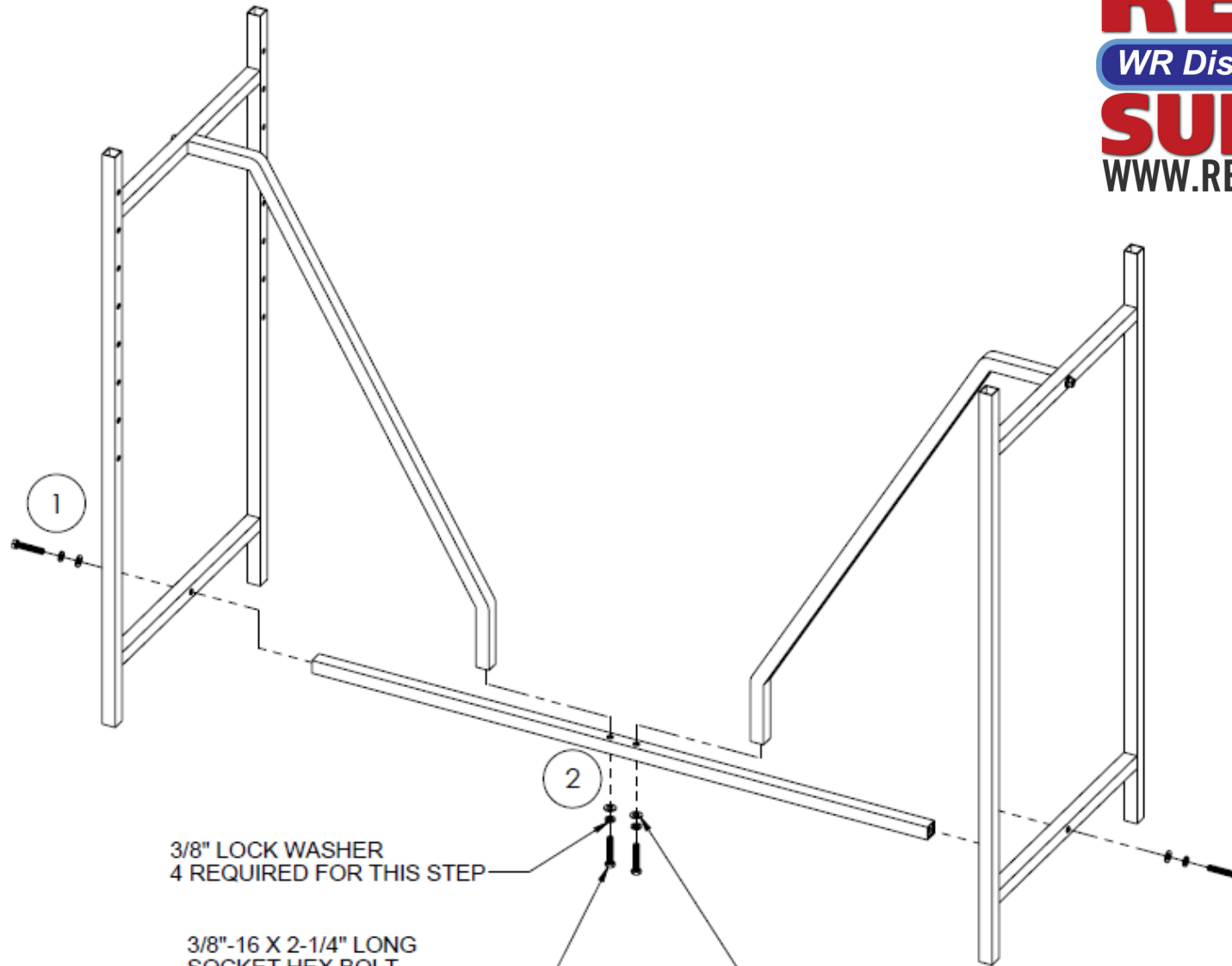
3/8"-16 X 2-1/4" LONG
SOCKET HEX BOLT
1 REQUIRED FOR THIS STEP

3/8" REGULAR WASHER
1 REQUIRED FOR THIS STEP

3/8" LOCK WASHER
1 REQUIRED FOR THIS STEP



Assembly Instructions for
240041



3/8" LOCK WASHER
4 REQUIRED FOR THIS STEP

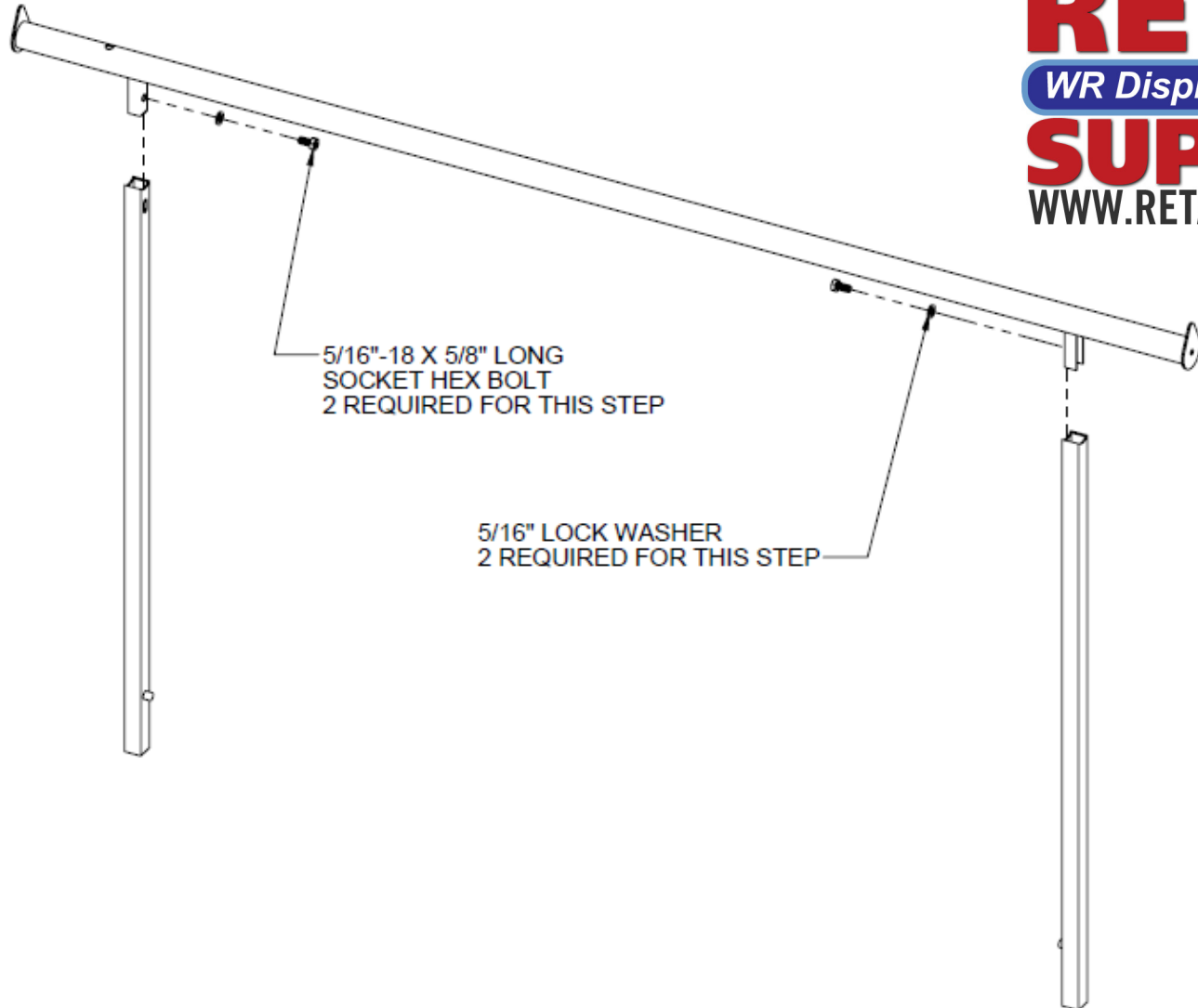
3/8"-16 X 2-1/4" LONG
SOCKET HEX BOLT
4 REQUIRED FOR THIS STEP

3/8" REGULAR WASHER
4 REQUIRED FOR THIS STEP

Assembly Instructions for
240041

REPEAT 2X

RETAIL
WR Display & Packaging
SUPPLIES
WWW.RETAILSUPPLIES.NET

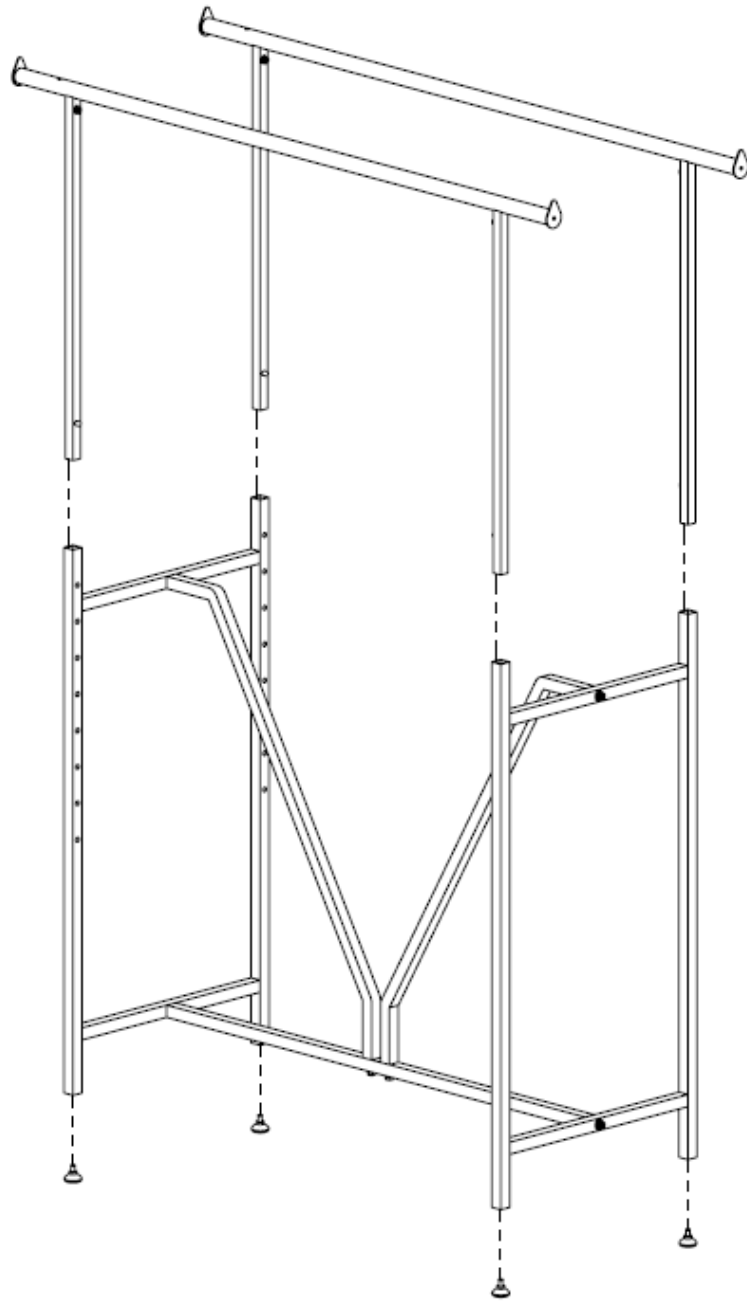


5/16"-18 X 5/8" LONG
SOCKET HEX BOLT
2 REQUIRED FOR THIS STEP

5/16" LOCK WASHER
2 REQUIRED FOR THIS STEP

Assembly Instructions for
240041

SHEET 3 OF 4



Assembly Instructions for
240041